

# TECHNICAL SPECIFICATIONS

## FREESCAN X3/X5/X7

Model	FreeScan X3	FreeScan X5	FreeScan X7
Measuring Accuracy	Maximum 0.03 mm	Maximum 0.03 mm	Maximum 0.03 mm
Volume Precision	0.02 mm+0.1 mm/m	0.02 mm+0.08 mm/m	0.02 mm+0.06 mm/m
Volume Precision (Combined with DigiMetric)	0.020 mm+0.025 mm/m	0.020 mm+0.025 mm/m	0.020 mm+0.025 mm/m
Resolution	0.1 mm	0.1 mm	0.05 mm
Scan Speed	240, 000 scans/s	350, 000 scans/s	480, 000 scans/s
Single Scan Range	280×250mm	300x250 mm	300x275 mm
Scan Range	100-6000 mm	100-8000 mm	100-8000 mm
Working Distance	300mm	300 mm	300 mm
Scan Depth	250mm	250 mm	250 mm
Supporting Program for Extended Measurement	DigiMetric	DigiMetric	DigiMetric
Light Source	6 line laser ray	10 line laser ray	14 line laser ray
Laser Category	Class II ( eye safe )		
Software	3DScan		
Output Data Format	STL, ASC, DGM, OBJ, etc., and compatible with the mainstream 3D software		
OS System Support	win10 64bit		
Operation Temperature	-10 to 40 °C		
Transmission Mode	USB 3.0		
Weight	0.95 kg		
Dimension	130 x 90 x 310 mm		

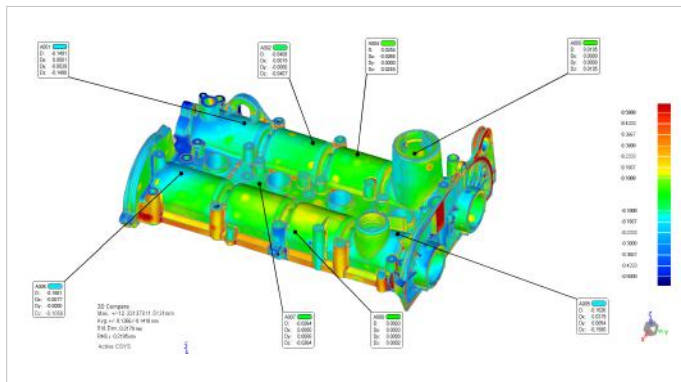
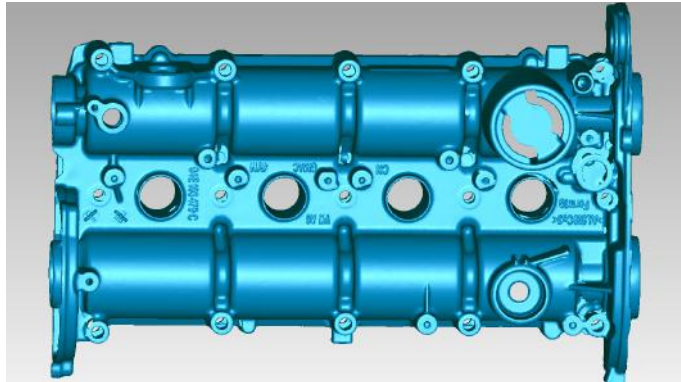
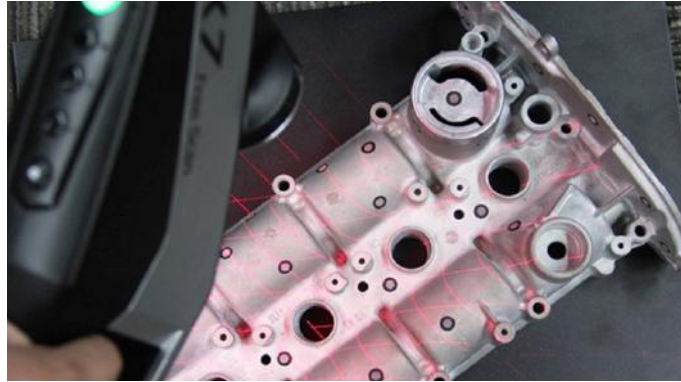
\*Notice: SHINING 3D reserves the right to explain any alteration of the specifications and pictures.



SHINING 3D®

# FREESCAN X3/X5/X7 HANDHELD 3D LASER SCANNER





SHINING 3D's new FreeScan series is the ultra-portable handheld 3D laser scanner. It features flexible and convenient scanning mode, and the 3D metrology scanner's high accuracy and stability. The FreeScan series is applicable for a wide range of operating environment and a variety of measured objects. It can maximize the scanning efficiency to achieve excellent results.

## FEATURES

### 1. HIGH ACCURACY, HIGH SPEED, HIGH RESOLUTION.

High accuracy up to 0.03mm, high scanning speed up to 480,000 dots/s, high resolution up to 0.05mm.

### 2. HIGH COMPATIBILITY

Creating smart grid and seamlessly connecting with the main 3D software to improve the working efficiency.

### 3. LIGHT BODY, EASY OPERATION

Ultra-portable laser handheld 3D measurement system with only 0.95 kg.

### 4. COMPLETE FREEDOM OF 3D SCANNING

All-dimensional scanning of objects, not restricted by part dimensions materials, color and complexity, etc.

### 5. TRIANGULAR SELF-POSITIONING TECHNOLOGY

Scanned parts can be freely movable, fixed installation not required, assured high accuracy.